

Channels	R = ABZ / Q = AB / A = A
Output	HV = Driver (10mA Source/Sink) without inverted channels HVLD = Driver (10mA Source/Sink) with inverted channels PP = Driver (50mA Source/Sink) without inverted channels PPLD/HTL = Driver (50mA Source/Sink) with inverted channels OC = Open Collector without inverted channels TTL/RS422 = Driver (10mA Source/Sink) with inverted channels at 5vdc
PPR	1000,1024
Voltage	V1 = 5 VDC / V2 = 10-28 VDC
Shaft Bore Size Ø d	19 =19mm,20 =20mm,25 =25mm,30 =30mm,40 =40mm,X = Special.
Bore Style	B = Blind Hollow Shaft / T = Through Hollow Shaft
Clamping Style	FS = Front Side RS = Rear Side
Protection	1 = IP50 / 2 = IP65 (For Blind Hollow Only)
Temperature	S = 0-70°C
Connection Location	SG = Side Gland / S09 = Side 9 Pin D Type Connector
CE Certified	N = Standard / CE = CE Certified



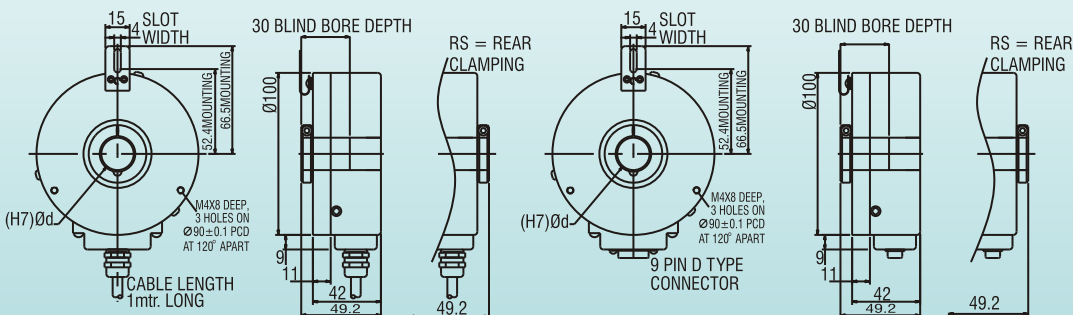
J-775-SL

Ordering Example – J-775-SL-R-HVLD-1024-V2-20-T-FS-1-S-SG-N

- J-775-SL is available in large bore size
- Designed for Industrial Environment
- J-775-SL Feature antirotation flexmount for quick & easy mounting
- Ideal suitable for Elevator control.



JENCODER J-775-SL



All dimensions are in mm with a tolerance of ±0.1 unless otherwise specified