

ENCODER HOLLOW SHAFT J-40H/T

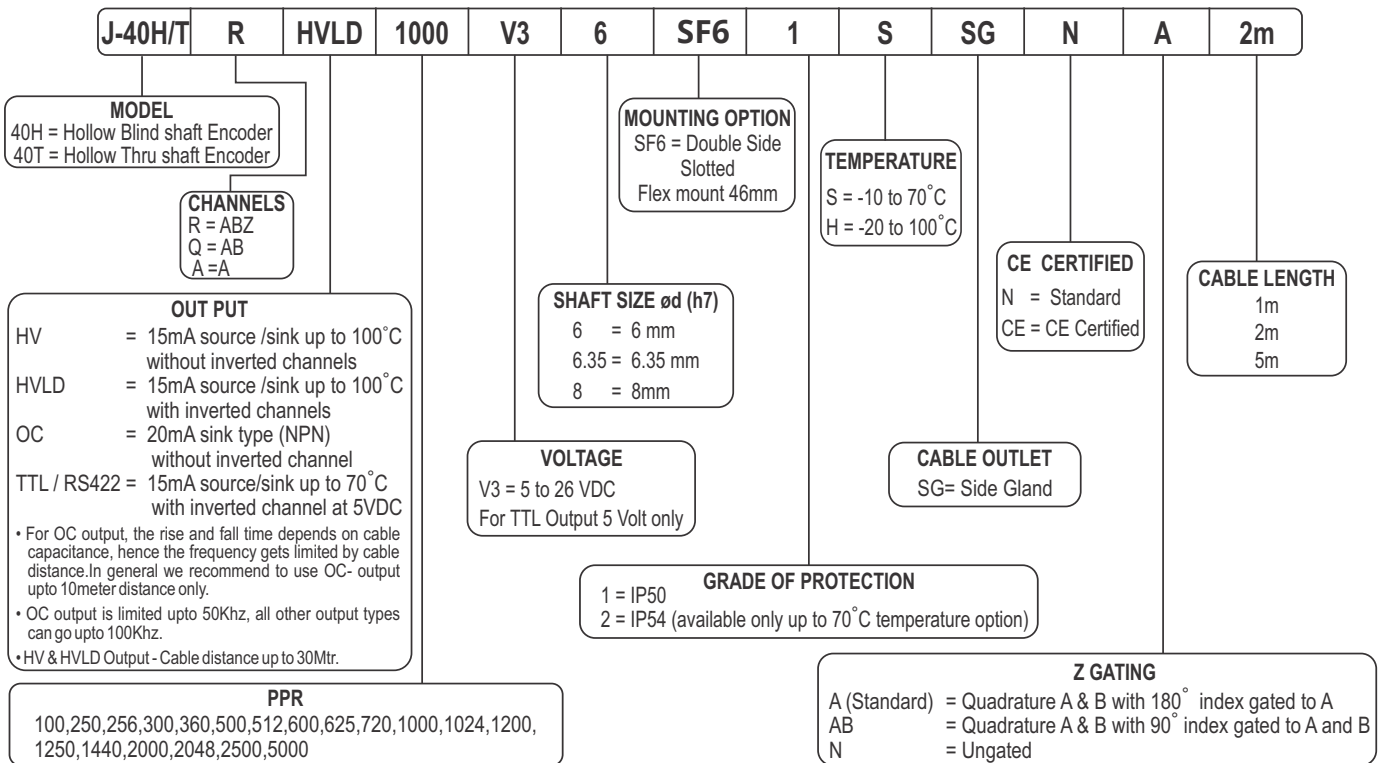


JAYASHREE ENCODERS
JENCODERTM
THE PERFECT CODER
ISO 9001-2015

FEATURES

- Compact size encoder specifically designed for narrow space installation
- Through and blind bore upto 8mm
- Robust design for 40mm size with gland and diecast covers
- Shatter proof polycarbonate disk
- LED power compensated for aging and temperature
- Robust ASIC based design
- Robust electrical design capable of taking surge across supply voltage

ORDERING EXAMPLE - J-40H-R-HVLD-1000-V3-6-SF6-1-S-SG-N-A-2m



Electrical Characteristics

	TTL / RS422	OC	HV	HVLD
Power Supply	4.85 ... 5.25 VDC (Ripple Peak to Peak 5%)			
Power consumption [No Load]	40mA			
Permissible load / Channel	15mA	20mA	15mA	15mA
Pulse Frequency	100 kHz	50 kHz	100 kHz	100 kHz
Short circuit proof output	No	Yes	Yes	Yes
Reverse polarity protection of the power supply	Yes			
Sensing Method	Optical			
Surge protection as per IEC61000-4-5 500V	No	Yes	Yes	Yes
Duty Cycle	180° ± 18°			
A and B Phase shift	90° ± 36°			

ENCODER HOLLOW SHAFT J-40H/T

JAYASHREE ENCODERS
JENCODERTM
THE PERFECT CODER
ISO 9001-2015

Mechanical characteristics

Shaft Load Capacity	Radial 4kg Axial 2kg
Max. Speed	4500 RPM
Protection IEC60529	IP50 IP54
Working temperature range	-10...+70°C -20...+100°C (IP50)
Material	Shaft : stainless steel Grade 303 alternative Grade 304 Housing : Aluminum Cover : Cast Alloy
Weight	Below 160 grams

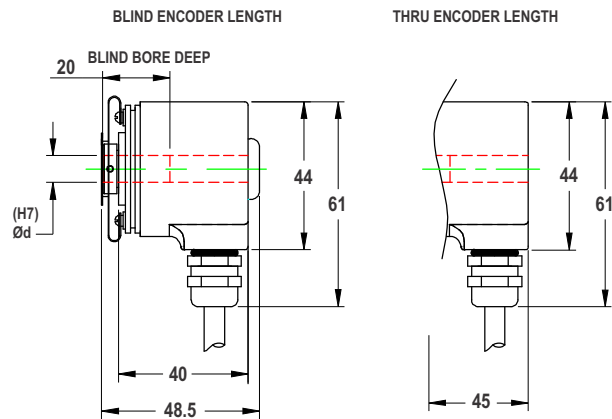
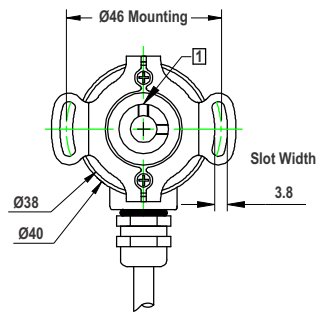
Environmental characteristics

Vibration Resistance	10G, 10--2000Hz as per IEC 60068-2-6, more possible contact factory
Shock Resistance	100G, 6ms as per IEC 60068-2-27, more possible contact factory

Wiring Detail

Function	Wire color	
	HV, OC	HVLD, TTL
+VDC	White	White
COMM	Black	Black
A	Brown	Brown
A ⁻	...	Yellow
B	Red	Red
B ⁻	...	Green
Z	Orange	Orange
Z ⁻	...	Blue
Shield	Bare	Bare

J-40H/T
Slotted Flexmount
Ø46mm=SF6
1 M3 Set Screws 2x90°



Output Waveform :
Viewed from Shaft End CW Direction

All dimension are in mm with a tolerance of ±0.1 unless otherwise specified

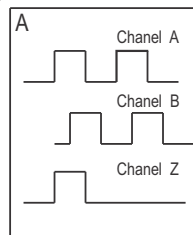


Fig 1 : Quadrature A & B with 180° Index gated to A

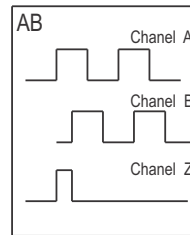


Fig 2 : Quadrature A & B with 90° Index gated to A & B

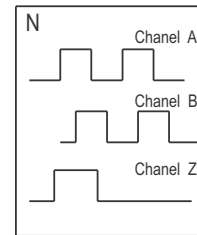


Fig 3 : Quadrature A & B with ungated Index



WORLD CLASS MANUFACTURING FACILITY

JAYASHREE ENCODERS PVT. LTD.

Sector 10, PCNTDA Industrial Area, Bhosari, Pune 411 026 (India)
Tel. : 020 66328000 | Email : sales@jencoder.com