

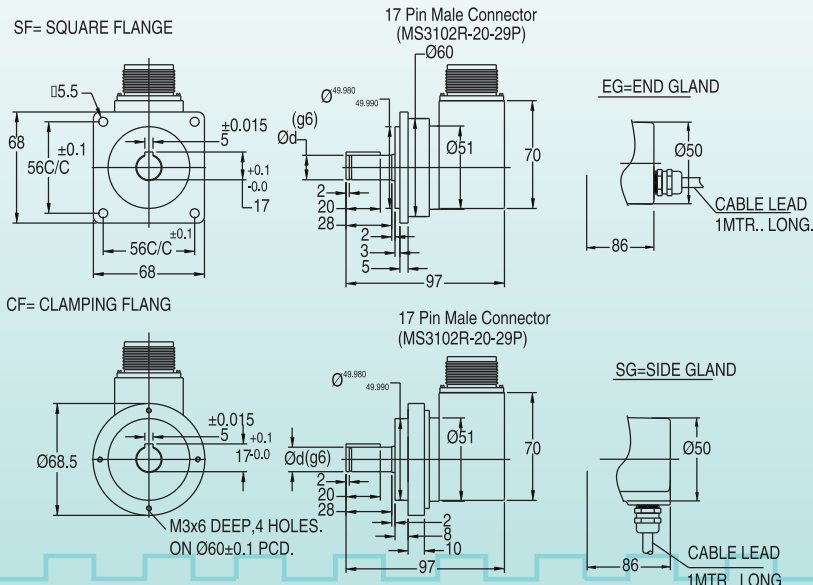


ENCODER SOLID SHAFT J-68S

ORDERING EXAMPLE - Ordering Code – J-68S-R-PPLD-1024-V3-15-CF-2-S17-N-A

J-68S	R	PPLD	1024	V3	15	CF	2	S	S17	N	A
MODEL J-68S	CHANNELS R = ABZ Q = AB A = A	OUT PUT HV = 15mA source /sink up to 100°C without inverted channels HVL D = 15mA source /sink up to 100°C with inverted channels PP = 20mA source/sink up to 100°C without inverted channel PPLD / HTL = 20mA source/sink up to 100°C with inverted channel OC = 20mA sink type (NPN) without inverted channel TTL / RS422 = 15mA source/sink up to 70°C with inverted channel at 5VDC		VOLTAGE V3 = 5 to 26 VDC For TTL Output 5 Volt only	SHAFT SIZE ϕd (h7) 15 = 15mm (with key-way)	MOUNTING OPTION CF = Clamping Flange SF = Square Flange	GRADE OF PROTECTION 1 = IP50 2 = IP65 (available only up to 70°C temperature option)	TEMPERATURE S = -10 to 70°C H = -20 to 100°C	CABLE OUTLET SG = Side Gland S10 = 10 Pin Side MS Connector S17 = 17 Pin Side MS Connector	CE CERTIFIED N = Standard CE = CE Certified	
PPR 1,2,3,4,5,6,8,9,10,12,14,15,16,18,20,22,24,25,26,28,30,31,32,33,34,36,38,40,42,45,46,48,50,54,55,60,64,72,76,80,82,84,86,88,90,92,94,95,96,98,100,106,108,110,112,114,120,122,125,128,130,136,144,146,148,150,156,157,160,164,170,171,172,176,180,200,210,240,250,256,276,300,305,360,480,500,512,597,600,720,750,800,840,960,1000,1024,1080,1200,1250,1270,1500,2000,2048,2500,3000,4096,5000,6000,7200,8192 & 10000											
Z GATING A (Standard) = Quadrature A & B with 180° index gated to A AB = Quadrature A & B with 90° index gated to A and B N = Ungated											

ENCODER J68-S



All dimension are in mm with a tolerance of ± 0.1 unless otherwise specified